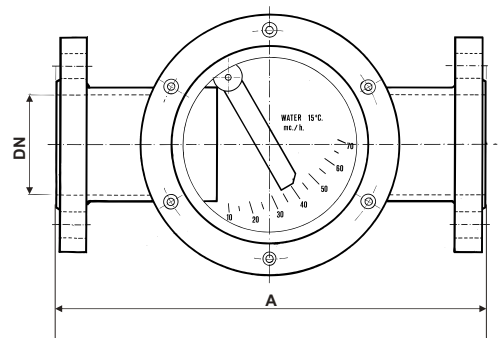


Mod. "W"

VISUAL FLOW INDICATORS WITH WINDOW AND EXTERNAL RETURN "W"



TIPO	Portata max. Mc/h	A	Flangiato Flanged DN	Filettati Screwed " gas
W-40	12	260	40	1 1/2"
W-50	20	280	50	2"
W-65	40	300	65	2 1/2"
W-80	60	330	80	3"
W-100	100	400	100	4"
W-125	150	420	125	5"
W-150	200	420	150	6"
W-200	250	520	200	8"



VISUAL FLOW INDICATORS WITH WINDOW AND EXTERNAL RETURN "W"

These are flow indicators for the visual control of liquids in industrial process and for the external mechanical detection of very dirty liquids. They are produced in different materials, with freeflow mobile blade pointer. The connections can be axial, either threaded or flanged. Maximum operating pressure: 10 bars. The can be produced, on request, for PN16, PN25, Pn40. They can be only be mounted on horizontal pipe. Accuracy: $\pm 10\%$.