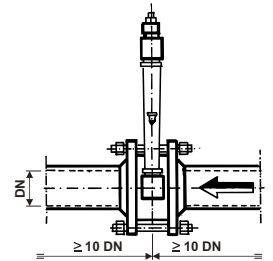
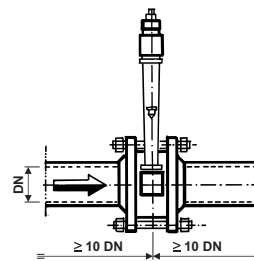
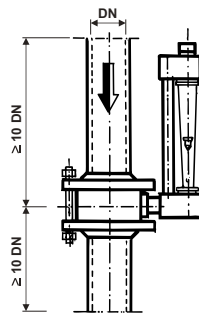
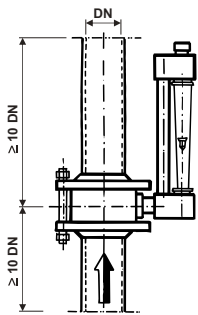
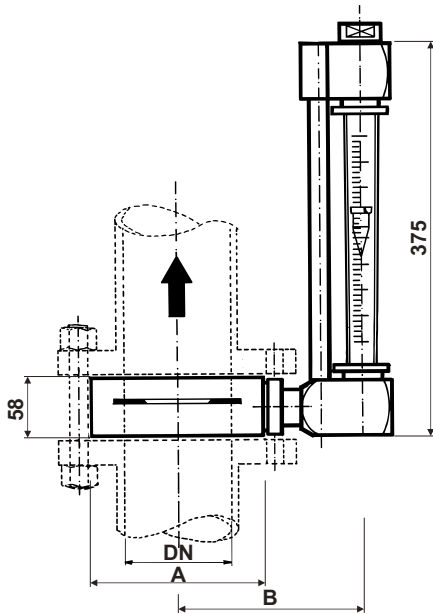


# Mod. "T"

## DIAPHRAGM TEE JOINT FLOWMETERS "T"



TIPO	Portata max. (*) WATER Mc/h	UNI PN 10			ASA 150		
		DN	A	B	DN	A	B
T-40	25	40	92	127	1 1/2"	83	131
T-50	50	50	107	136	2"	102	138
T-65	80	65	127	147	2 1/2"	121	148
T-80	130	80	142	156	3"	134	154
T-100	200	100	162	166	4"	172	173
T-125	300	125	192	180	5"	194	184
T-150	450	150	218	195	6"	220	197
T-200	800	200	270	223	8"	277	225
T-250	1000	250	328	281	10"	337	285
T-300	1000	300	378	308	12"	406	319

\* Inferior graduated scales are also available

### DIAPHRAGM TEE JOINT FLOWMETERS "T"

The "T" series diaphragm flowmeter with reduced flow is suitable for controlling large flow rates. It can also be used in the presence of chemically aggressive liquids using the appropriate anticorrosive materials. It also permits the installation onto vertical or horizontal pipe with ascending or descending, right or left flow. **On request, the measuring device may be remotely connected, and may be prepared for a min/max flow indicator.** Maximum test pressure: 16 bar. On request PN 25 and PN 40. Accuracy :  $\pm 5\%$