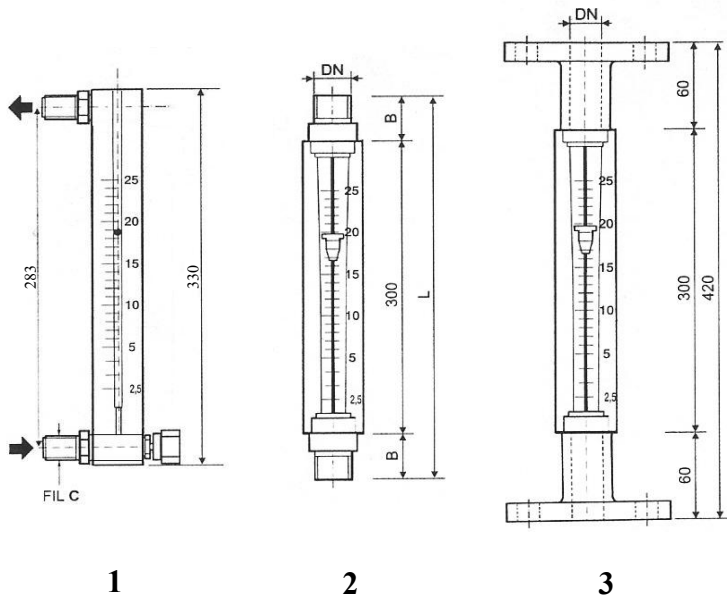


Mod. "LB" LABORATORY FLOWMETERS



AIR Nlt/min	Water Lt/h	Fil C	ATTACCHI FLANGIATI flanged connections DN	B	L
10	25				
20	60				
30	100	3/8" - 1/2"	10 - 15	35	370
50	150				
70	200				

AIR Nlt/min	Water Lt/h	Fil C	ATTACCHI FLANGIATI flanged connections DN	B	L
6	320				
8	420	3/8" - 1/2"	10 - 15	40	380
10	600				380
	800				

LABORATORY FLOWMETERS

The LB/89 series flowmeters are instantaneous measuring devices suitable for small flow rates of liquid or gaseous fluids.

They can have threaded or flanged axial connections or threaded square connections, with or without needle valve.

They are produced entirely in Plexiglas.

- Versions:
1. with tap in nickel-plated brass only
 2. with threaded connections in PVC or AISI
 3. with flanged connections in PVC only

Maximum test pressure: 10 bar, accuracy : $\pm 5\%$.